

RECOMMENDED EVENLY DISTRIBUTED LOAD BEARINGS • WIR WEISEN DARAUF HIN, DIE LAST GLEICHMÄSSIG AUF DEM FACHBODEN ZU VERTEILEN • VEILLES À CE QUE LE POIDS SOIT BIEN RÉPARTI • PESOS RECOMENDADOS • SI RACCOMANDA DI DISTRIBUIRE IN MODO UNIFORME I PESI SUI SUPPORTI • HET IS BELANGRIJK OM DE LADING GELIJKMATIG OVER DE KAST TE VERDELEN • РЕКОМЕНДОВАННАЯ РАСПРЕДЕЛЕННАЯ НАГРУЗКА

SAFETY WARNING

- 1) Ensure that this cabinet is placed on a level floor.
- 2) Do not place one cabinet on top of another with an exception for topbox units. For configurations discuss with authorised dealer.
- 3) Always load from the base up and unload from the top down
- 4) Load each fitting evenly, ensuring that the recommended load is not exceeded. For your own safety ensure they are not overloaded.
- 5) All roll-out accessories should be fitted on the lower half of the unit
- 6) Do not stand on internal fittings as this may cause personal injury and could damage the unit.
- 7) Always ensure that the side tambour doors are treated with care. do not force open or closed.
N.B. check that no obstructions have fallen into the tambour guide track.

CLEANING & CARE

We recommend you clean your unit with warm water and a mild detergent solution. A damp cloth can be used to remove dust particles.

N.B. constant polishing will alter the finish by increasing the gloss level.

LOCKS & KEYS

Each unit is supplied with two keys. The locks are from a mastered series with 500 alternative lock differs. The barrels are removable and can be suited.

N.B. Master and barrel keys are only available to authorised personnel

GUARANTEE

Your guarantee is supplied as part of your conditions of sale. If you are unsure please contact your authorised distributor.

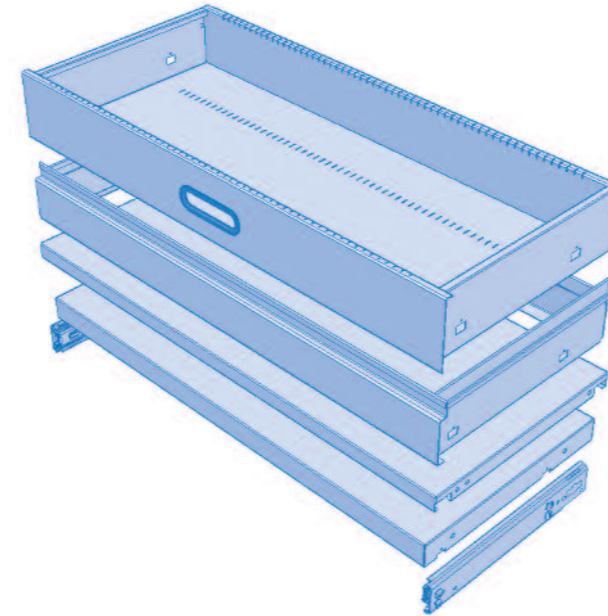
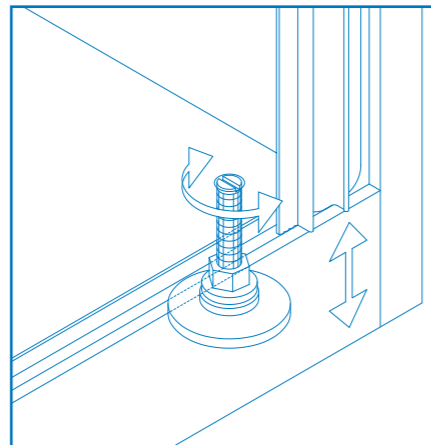
REPLACEMENT PARTS

Please refer to your Guarantee, under the terms & conditions of the above, contact your nearest authorised dealer, who will examine the faulty part and arrange for a replacement to be fitted.

N.B. do not attempt to remove or replace parts.

QUALITY & TESTING

BS EN 14073 2004 Part 2 & 3, BS EN 14074, BS 4875 1998 Part 7 level 4 & Part 8, BS 476 Part 7 1987 Class 2Y



- Internal fitting Instructions are supplied with each internal.
- Montageanleitung liegt bei.
- Des notices de montage sont fournies pour les équipements internes.
- Todos los accesorios llevan incluyen instrucciones de montaje.
- le istruzioni per fissare gli elementi interni sono fornite con ciascun accessorio.
- Bij elk kastinterieur wordt een montage handleiding geleverd.
- Инструкция по установке внутренних полок вкладывается в каждую упаковку

800		
Ref	lbs	Kgs
IC08RS	55	25
IC08SS	143	65
IC08SSU (shelf)	143	65
IC08BS	154	70
IC08BSU (shelf)	154	70
ICCR	99	45
IC08LR	88	40
IC08LRF	55	25
IC08FB	99	45
IT08RS	55	25
IT08SS	143	65
IT08BS	154	70
ITCR	99	45
IT08LR	88	40
IT08RD	99	45
45IT08RF	99	45
IT08BSU (shelf)	154	70
IT08SSU (shelf)	143	65

1000		
Ref	lbs	kgs
IC10RS	55	25
IC10SS	143	65
IC10BS	154	70
ICCR	99	45
IC10FB	99	45
IC10LR	132	60
IC10LRF	66	30
IC10SSU (shelf)	143	65
IC10BSU (shelf)	154	70
IT10RS	66	30
IT10SS	143	65
IT10BS	154	70
ITCR	99	45
IT10LR	99	45
IT10RD	99	45
IT10RF	99	45
IT10BSU (shelf)	154	70
IT10SSU (shelf)	143	65

1200		
Ref	lbs	kgs
IT12RS	55	25
IT12SS	132	60
IT12BS	143	65
ITCR	99	45
IT12LR	99	45
IT12RD	99	45
IT12RF	110	50
IT12SSU (shelf)	132	60
IT12BSU (shelf)	143	65

